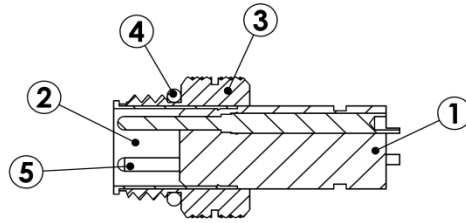
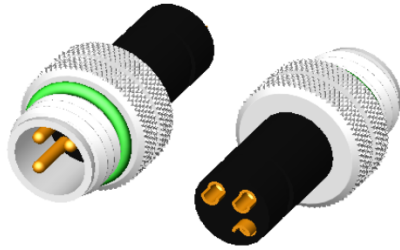


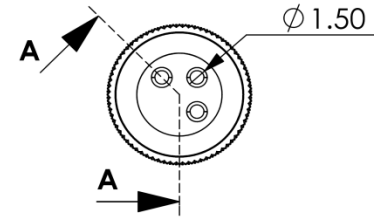
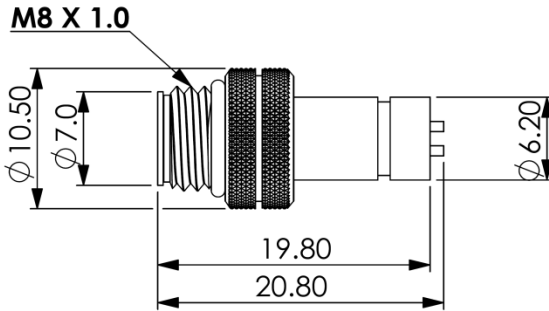
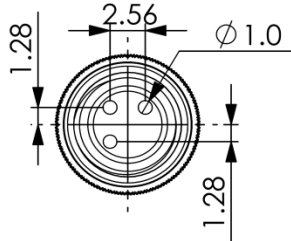
WATERPROOF CONNECTORS

- **IP67 M8 CABLE PLUGS**
- **3.4. PINS**
- **MOLDING TYPE**
- **WP0803PMR**
- **WP0804PMR**





SECTION A-A



No.	Description	Material	Treat	Q'ty
1	Housing	Thermoplastic	UL94V-0	1
2	Shield Cover	Brass	Nickel Ptd.	1
3	Screw Cap	Brass	Nickel Ptd.	1
4	Sealed Ring	NBR		1
5	Terminals	Brass	Gold Ptd.	3

Specification:

Current : 2A

Operation Temperature: -20°C to 105°C

Insulation Resistance : 1000MΩ min.

Dielectric Strength : 500V AC min.

Waterproof Test :

Reference to IEC 60529 Edition

2.1 : 2001-02-IP67

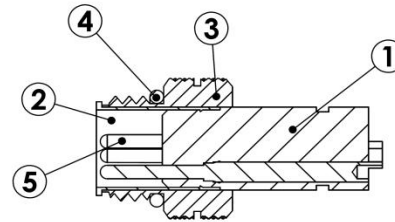
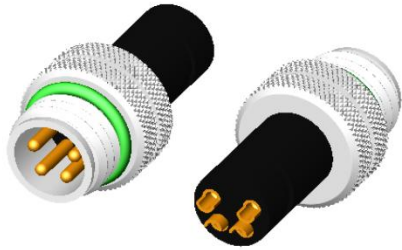
俞昌有限公司
YEU TSANG CO. LTD.

品名: ITEM :	3P M8 WATER TIGHT CABLE PLUG FOR MOLDING	
料號: PART NO.	WP0803PMR	圖號: DRW NO.

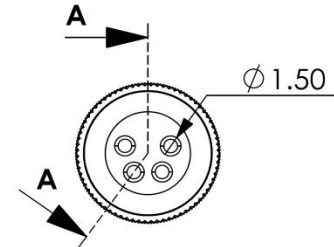
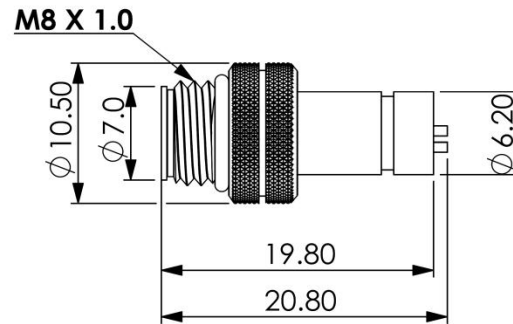
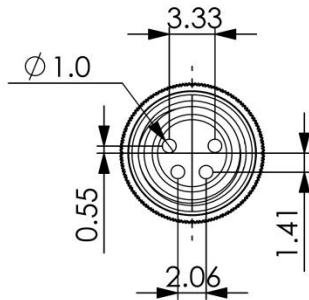


一般公差	SHEET:
.X +/-0.25	1
.XX +/-0.10	1

單位: unit:	mm	日期: date:	'07/01/23	繪圖: drwn by:	DanielShyr
比例: scale:	2 : 1	版本: version:	V. 1.0	核准: aprld by:	SkyShyr



SECTION A-A



No.	Description	Material	Treat	Q'ty
1	Housing	Thermoplastic	UL94V-0	1
2	Shield Cover	Brass	Nickel Ptd.	1
3	Screw Cap	Brass	Nickel Ptd.	1
4	Sealed Ring	NBR		1
5	Terminals	Brass	Gold Ptd.	4

Specification:

Current : 2A

Operation Temperature: -20°C to 105°C

Insulation Resistance : 1000MΩ min.

Dielectric Strength : 500V AC min.

Waterproof Test :

Reference to IEC 60529 Edition

2.1 : 2001-02-IP67

俞昌有限公司 YEU TSANG CO. LTD.	品名: ITEM :	4P M8 WATER TIGHT CABLE PLUG FOR MOLDING			一般公差	SHEET: 	單位: unit:	mm	日期: date:	'07/01/23	繪圖: drwn by:	DanielShyr
	料號: PART NO.	WP0804PMR	圖號: DRW NO.				.X +/-0.25 .XX +/-0.10	比例: scale:	2 : 1	版本: version:	V. 1.0	核准: aprld by: